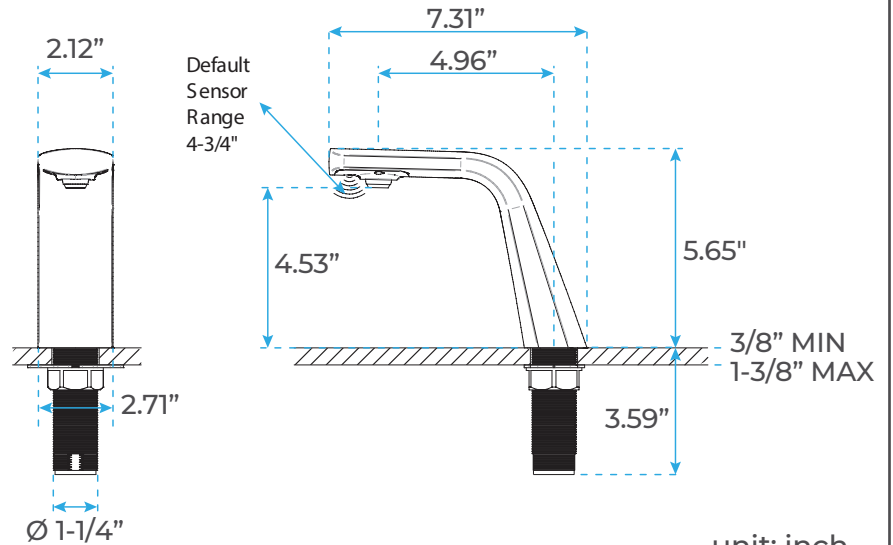


TOUCHLESS COMMERCIAL AUTOMATIC SENSOR FAUCET IN MATTE BLACK SPECIFICATIONS



Size



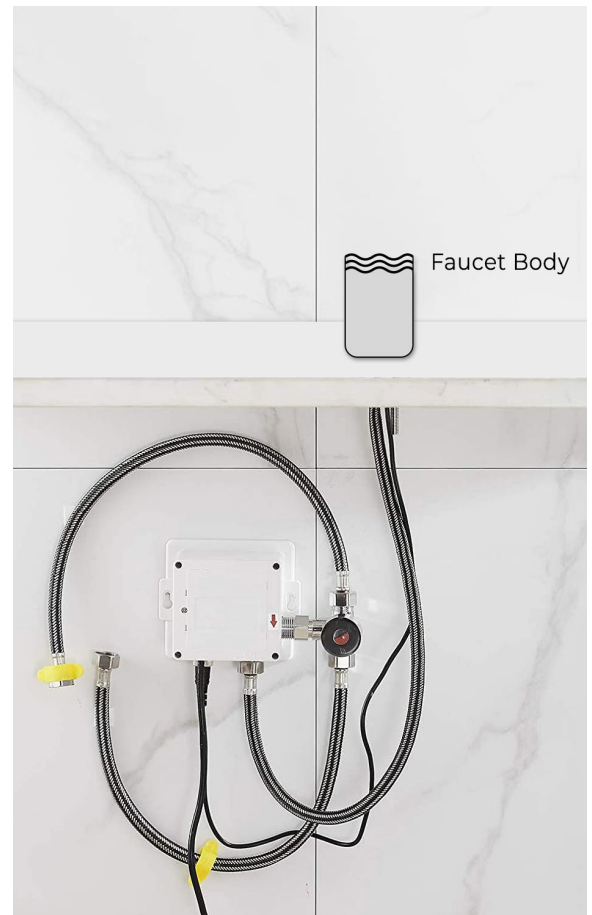
unit: inch

Specs

- Minimum operating pressure : 7.5 psi dynamic pressure
- Flow rate : 0.5 GPM or 0.35 GPM
- Water supply : Pre-mixed
- Stainless steel grade : AISI 304 Stainless steel
- Hot water temperature : Max 122°F
- Sensor range : Preset 5" (adjustable). Min range 2 1/2" - Max range 16"
- Comfort delay : 2 seconds ±20%
- Security cut-off : 30 seconds ±20%
- Power supply - mains : Input: 100 - 240V; 50 - 60Hz; 1.5A
Output: 6v DC, 1A, 6W max.
Waterproof connection to sensor leads

- Counter top cut-out (dia) : Ø1 1/4"
- Maximum countertop thickness : 1 3/8"
- Reflective surfaces :Not to be installed above highly polished basins, or waste outlets.

Overview



All dimensions and specifications are nominal and may vary. Use actual products for accuracy in critical situations.